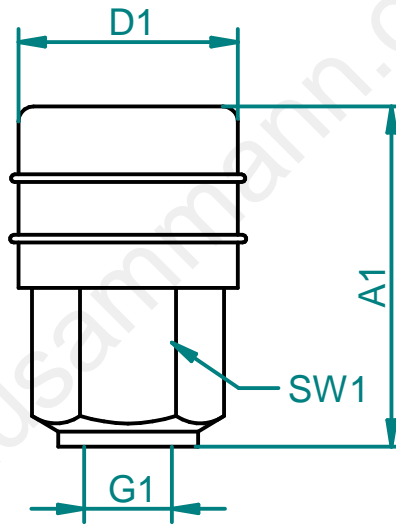


General tolerances ISO 2768-m						Index	Date	Visum	Modification	Index	Date	Visum	Modification
Basic-size	...6	> 6 ...30	> 30 ...120	>120 ...400	> 400 ...1000								
medium	±0.1	±0.2	±0.3	±0.5	±0.8								



Specifications points D,K,H	
D= doc.points	
K= critical	
H= main	

		Material:			
Accord-draw.no.:	Origin-draw.no.:	Replacement for:	Scale		
			plotted	10.04.12	E.Z
			checked		
HAUSAMMANN KOMponenten PRODUKTION SYSTEME		37.915/AX	Solid Edge	Format A4	Index 00
© 2 012, Fuer dieses Dokument behalten wir uns alle Rechte vor.		© 2 012, Nous nous reservons tous les droits sur ce document		© 2 012, We reserve all rights in connection with this document	